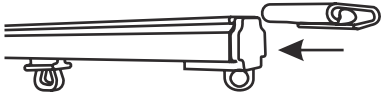
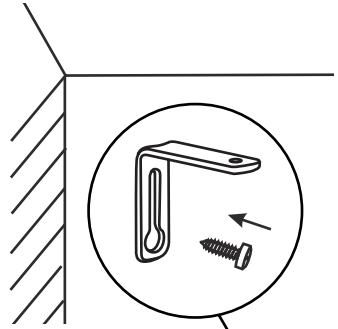


# Instructions

1

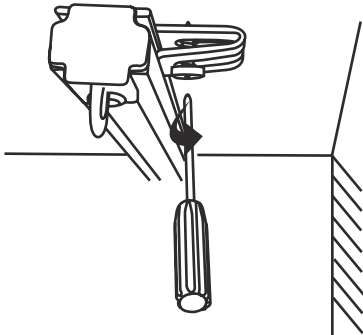


①

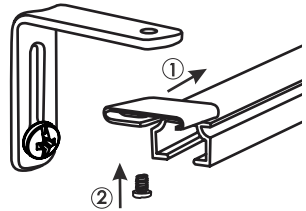


(※NOT INCLUDED)

2



②



③

